

4

3

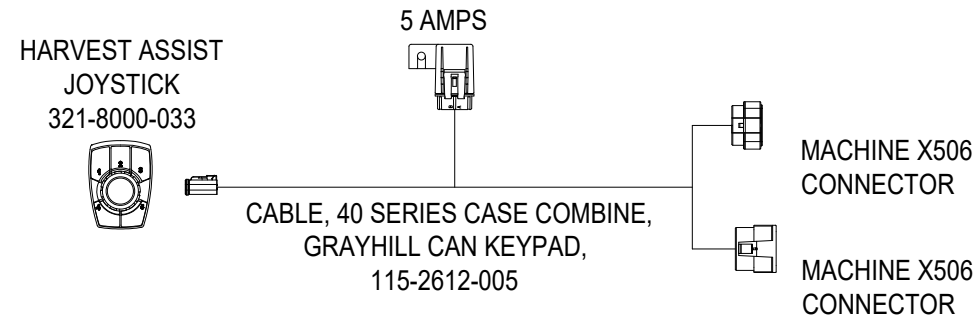
2

1

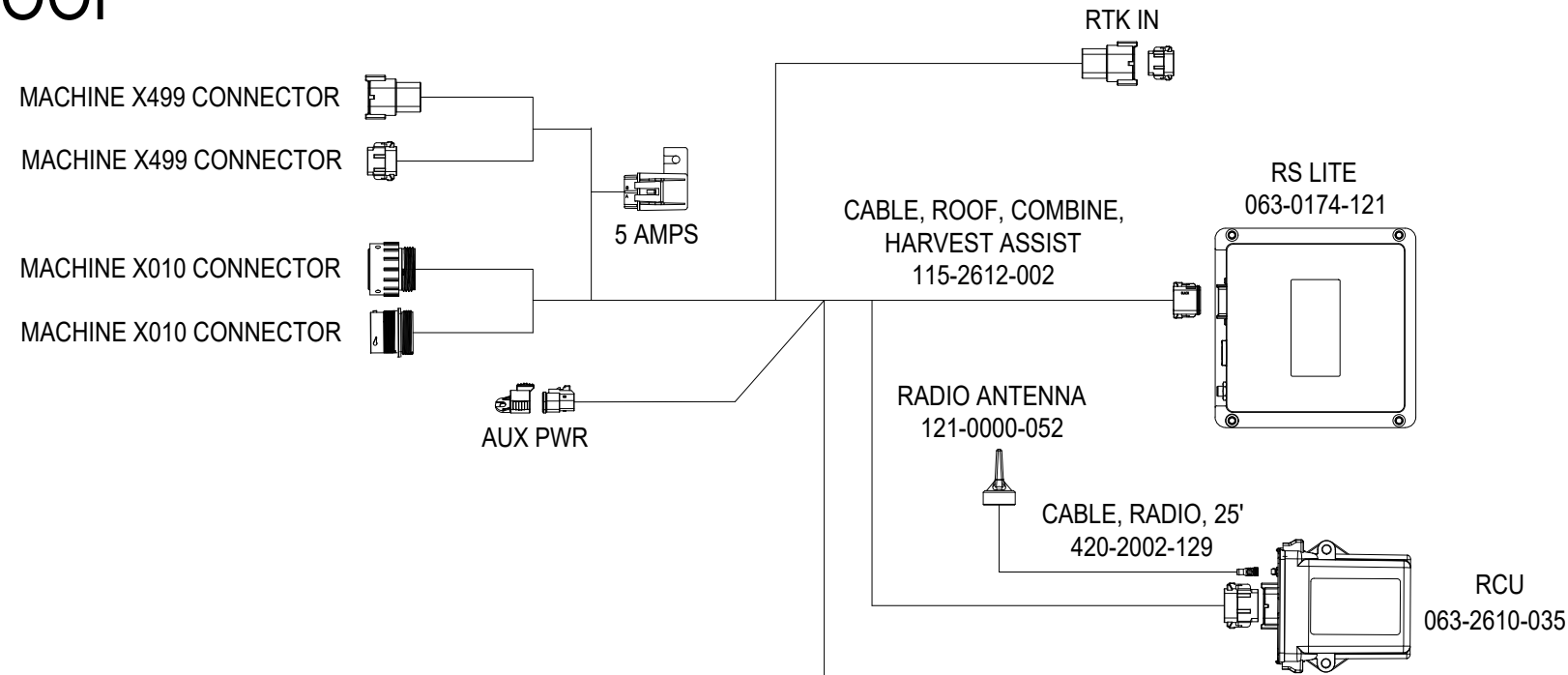
# SYSTEM DRAWING, HARVEST ASSIST - 7240,8240,& 9240 CASE COMBINES

KIT: 117-2612-003

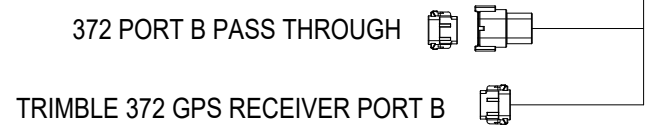
## CAB



## ROOF



## GRAIN TANK



### ALSO INCLUDED IN KIT

NAME	PART NUMBER	QTY
COMBINE ROOF BRACKET	116-2612-002	1
COMBINE ROOF SPACER	107-2612-002	4
GRAYHILL REMOTE BRACKET	107-2612-001	1
CLAMP, UPPER, CNH CONSOLE RAIL	107-2612-003	1
CLAMP, LOWER, CNH CONSOLE RAIL	107-2612-004	1
RADIO ANTENNA BRACKET	107-2610-063	1

RELEASED DATE	ECO #	REV.	DRAWING NO.
10/19/22	43688	A	054-2612-004

4

3

2

1

4

3

2

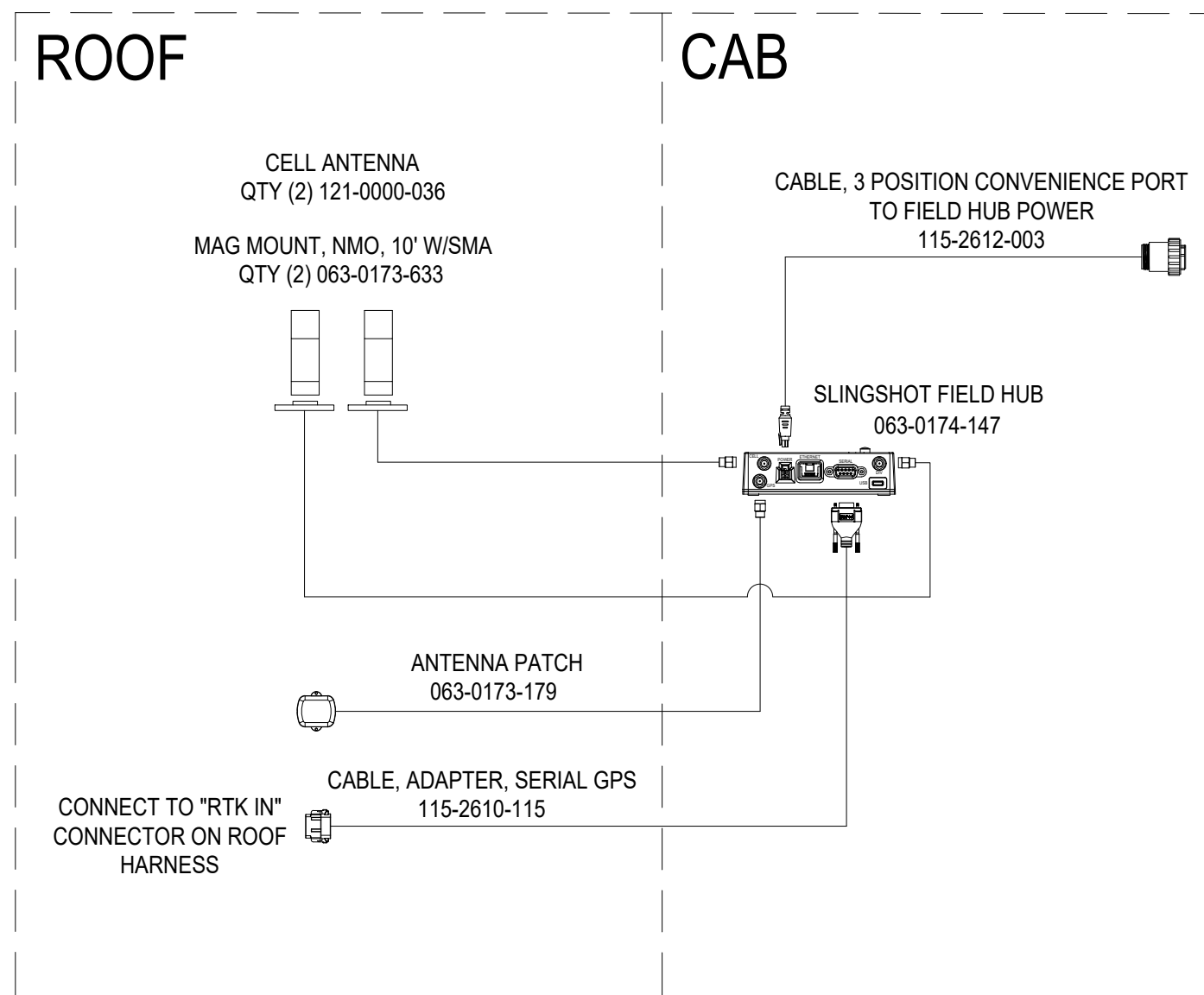
1

# SYSTEM DRAWING, HARVEST ASSIST - 7240,8240,& 9240 CASE COMBINES

KIT: 117-2612-003

## OPTIONAL FIELD HUB INTEGRATION

NOTE: THESE COMPONENTS ARE NOT INCLUDED IN KIT



RELEASED DATE	ECO #	REV.	DRAWING NO.
10/19/22	43688	A	054-2612-004

4

3

2

1

B

B

A

A