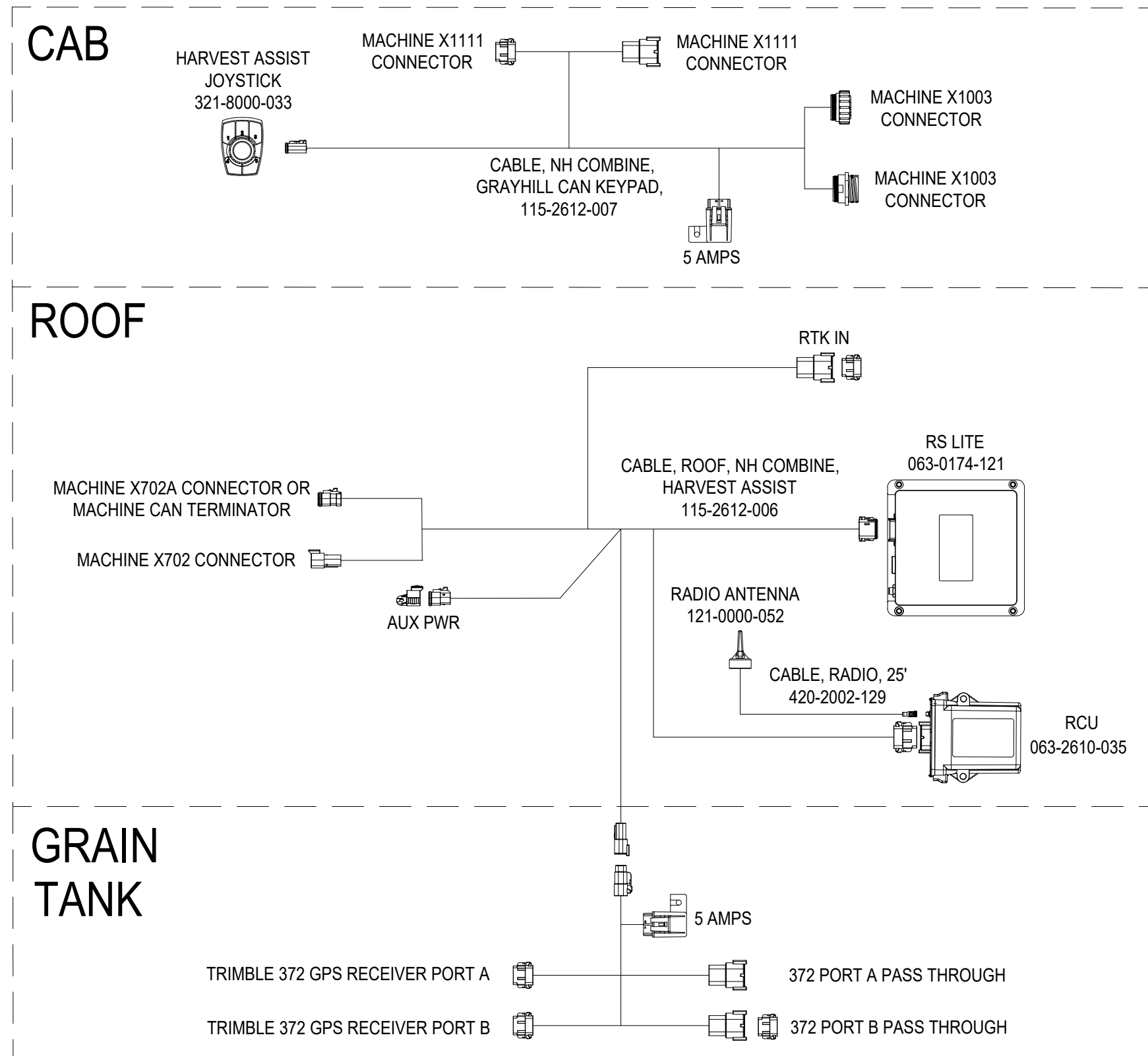


SYSTEM DRAWING, HARVEST ASSIST - CR6.80,6.90,7.80,7.90,8.90,9.90,10.90 NH COMBINES

KIT: 117-2612-004



ALSO INCLUDED IN KIT		
NAME	PART NUMBER	QTY
MAG MOUNT ROOF BRACKET	116-2612-005	1
GRAYHILL REMOTE BRACKET	107-2612-001	1
CLAMP, UPPER, CNH CONSOLE RAIL	107-2612-003	1
CLAMP, LOWER, CNH CONSOLE RAIL	107-2612-004	1
RADIO ANTENNA BRACKET	107-2610-063	1

RELEASED DATE	ECO #	REV.	DRAWING NO.
10/19/22	43688	A	054-2612-005

4

3

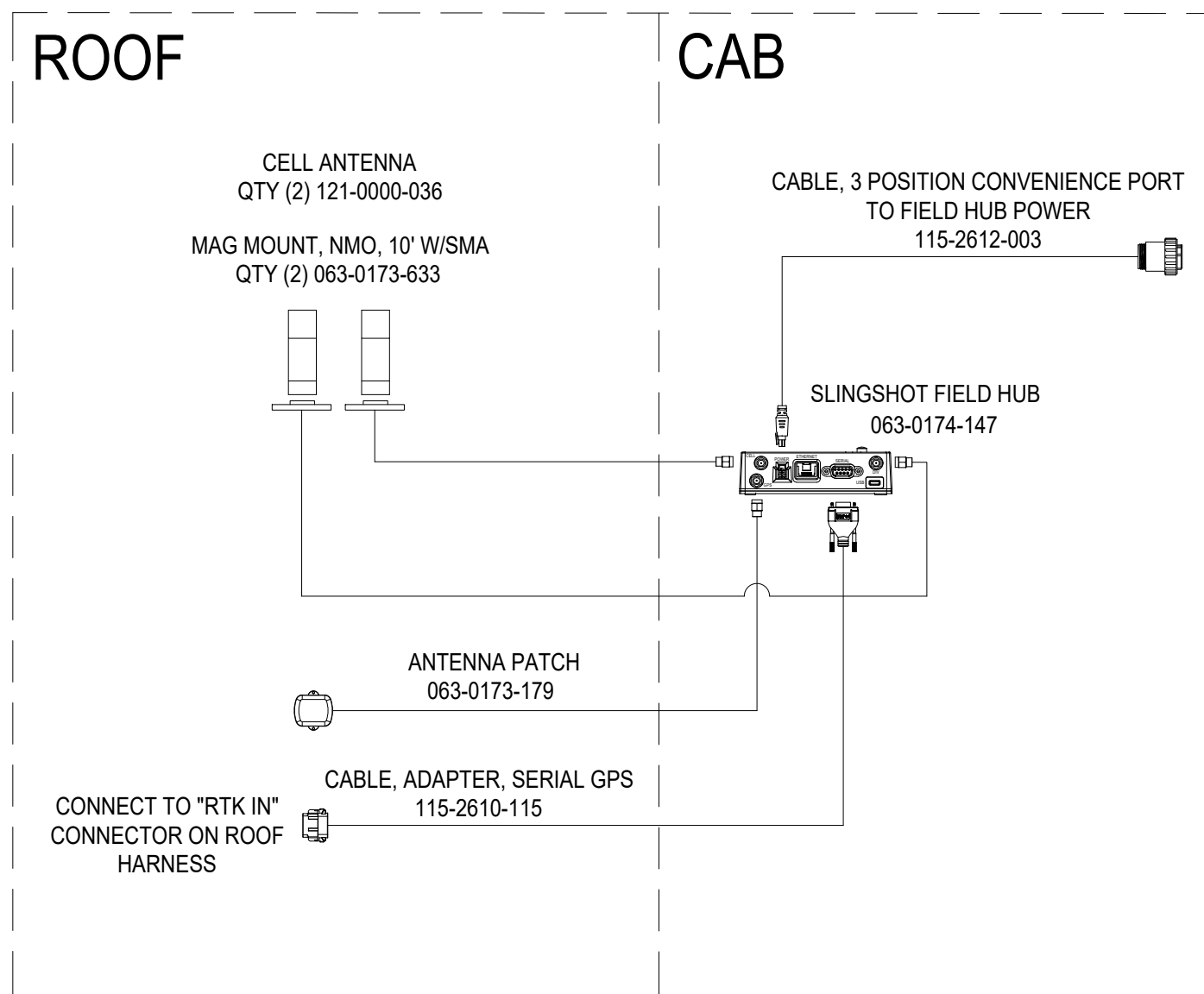
2

1

SYSTEM DRAWING, HARVEST ASSIST - CR6.80,6.90,7.80,7.90,8.90,9.90,10.90 NH COMBINES

KIT: 117-2612-004

OPTIONAL FIELD HUB INTEGRATION
NOTE: THESE COMPONENTS ARE NOT INCLUDED IN KIT



RELEASED DATE	ECO #	REV.	DRAWING NO.
10/19/22	43688	A	054-2612-005

4

3

2

1

B

B

A

A